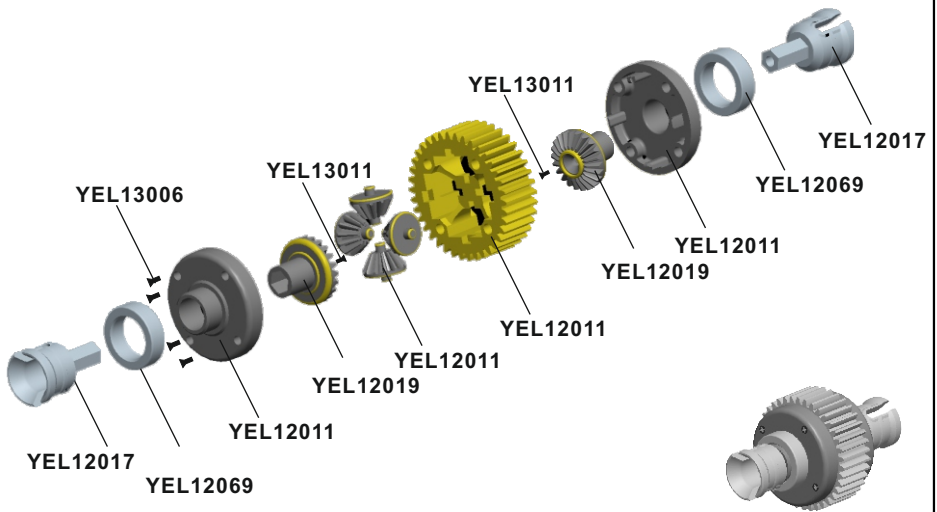
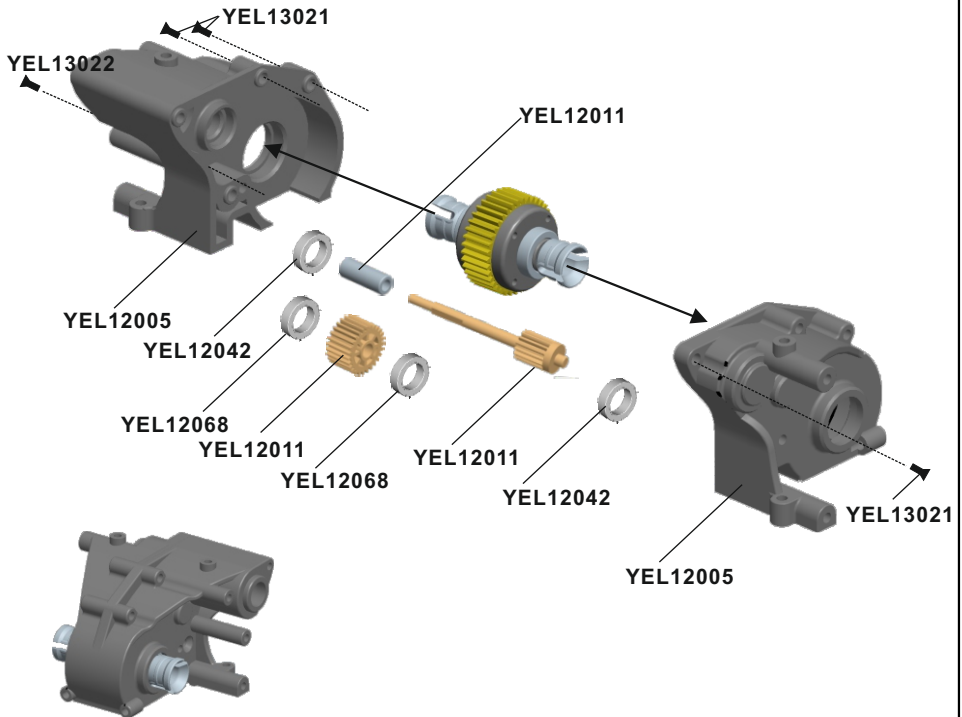


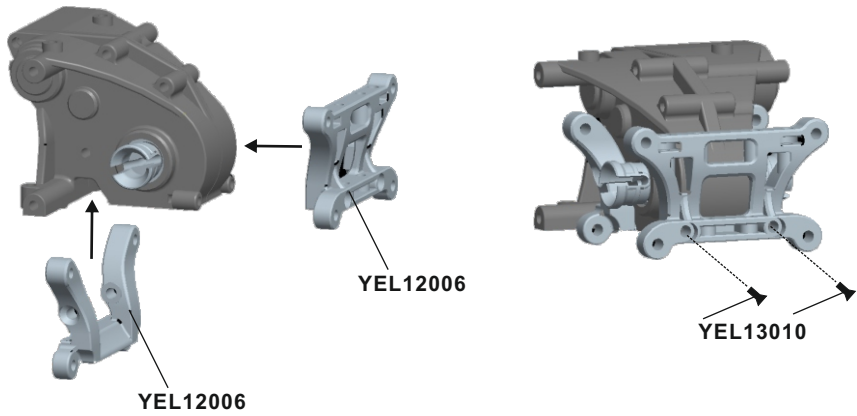
REAR DIFF. ASSEMBLY-1



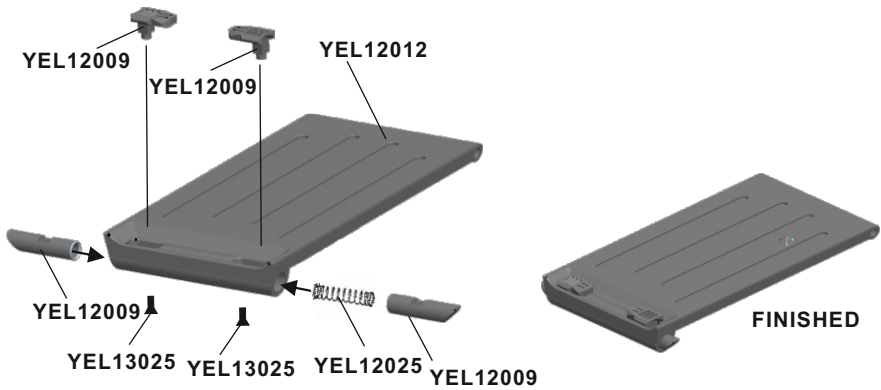
REAR DIFF. ASSEMBLY-2



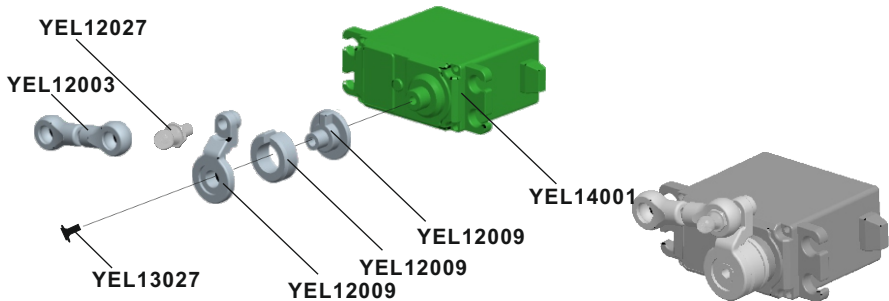
REAR DIFF. ASSEMBLY-3



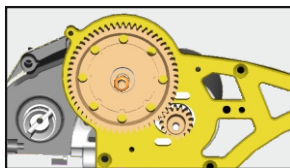
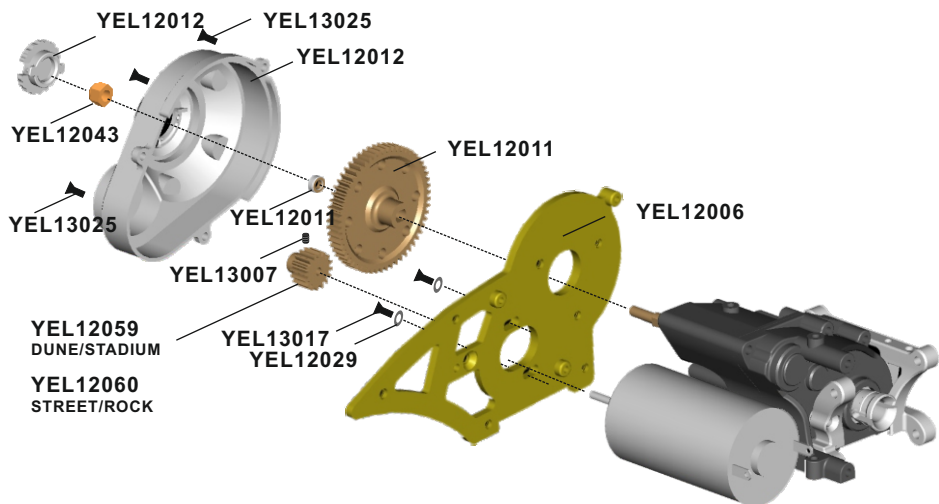
BATTERY COVER ASSEMBLY



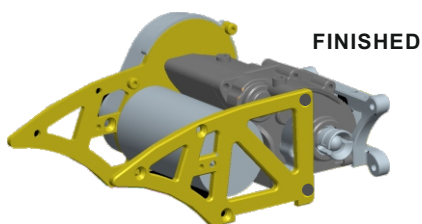
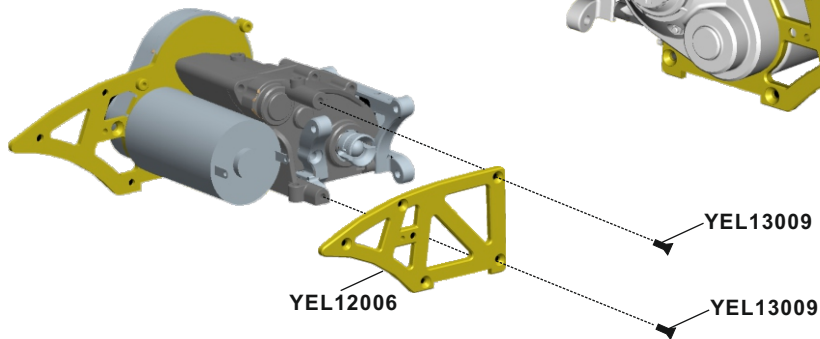
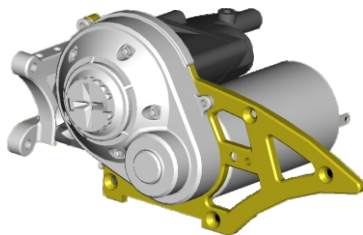
SERVO ASSEMBLY



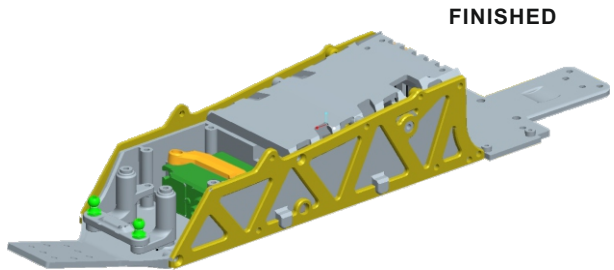
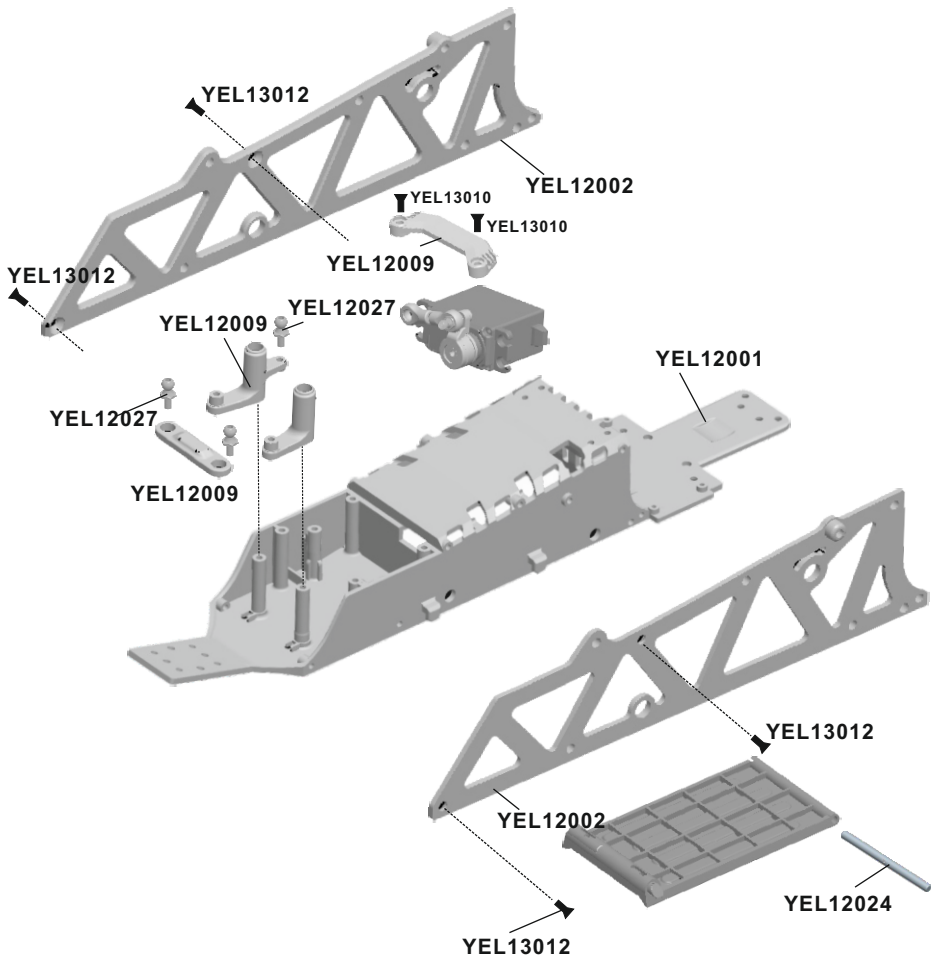
MOTOR/SPUR GEAR INSTALLATION



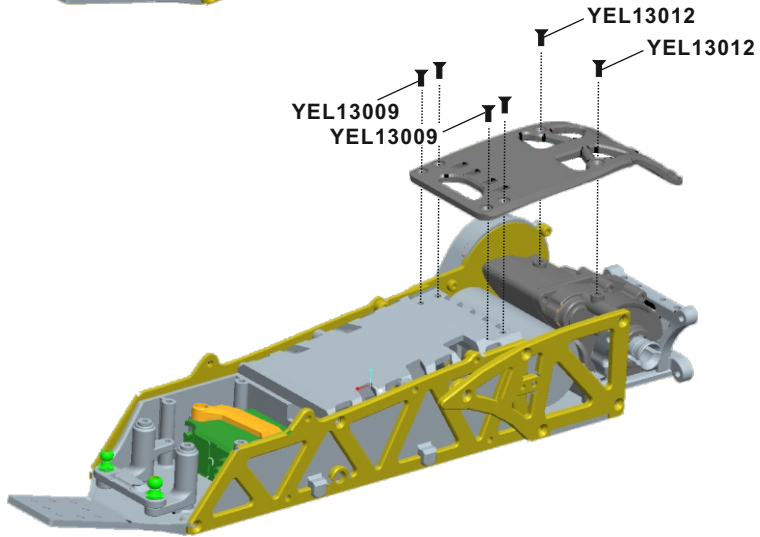
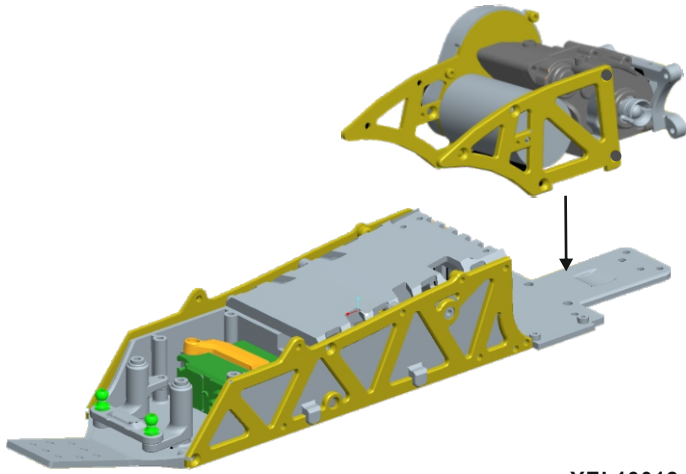
Make sure the gear mesh is set properly.
Double-check the motor pinion screw and the spur gear nut are tightened firmly.



MAIN UNIT ASSEMBLY-1



MAIN UNIT ASSEMBLY-2



FINISHED

